

**Ball valve 1-piece body reduced bore stainless steel thread BSPP or NPT 63bar**



Example illustration

**Item description**

**Materials:**

Housing: 1.4408

Ball: 1.4408

Seal: PTFE

Handle: 1.4301

**Temperature range:**

-20°C to +200°C

**Connection:**

BSPP

NPT

**Operating range:**

Water, oil, compressed air, fuels, solvents, aggressive media

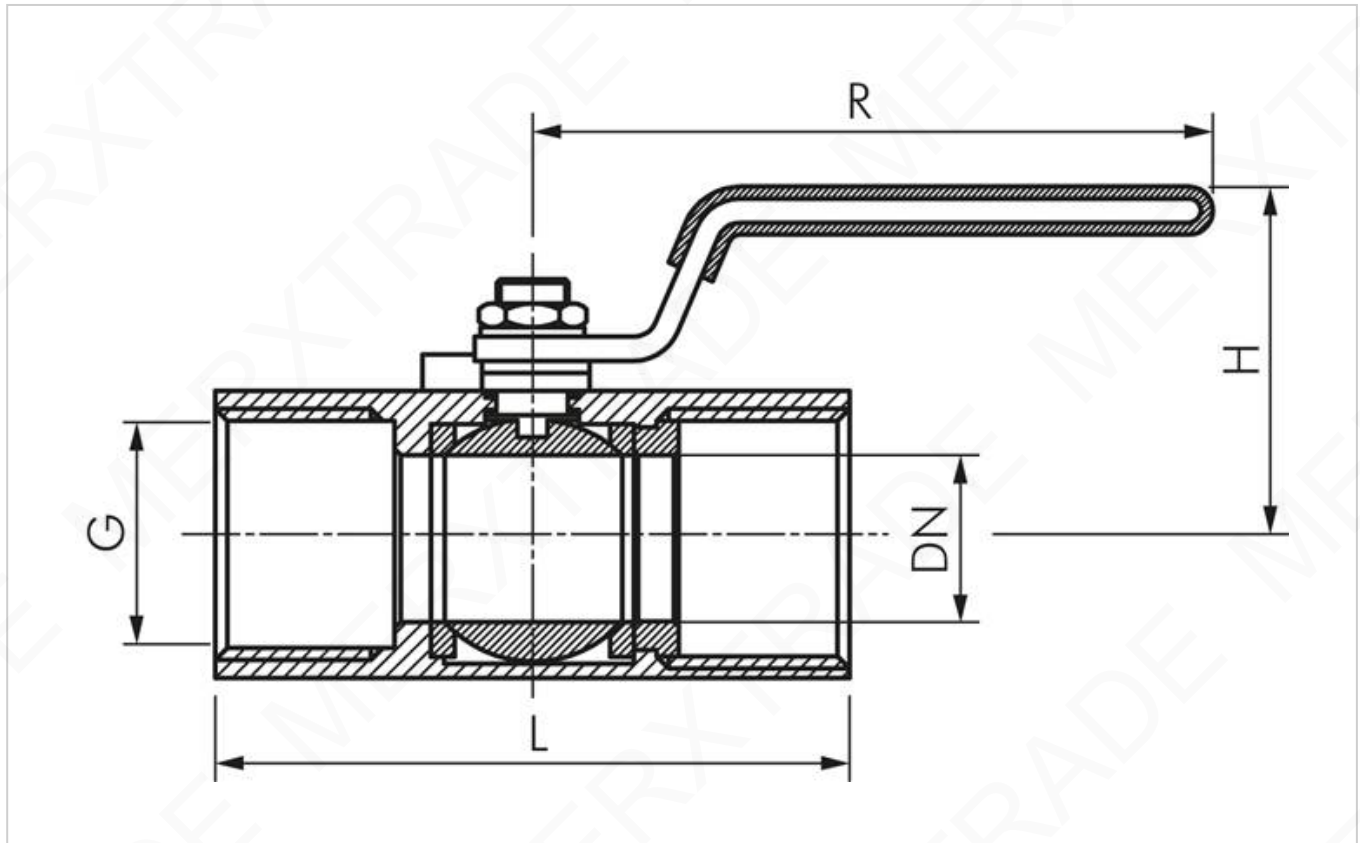
**Optional:**

certificate 3.1 (check availability)

**Advantages:**

Hand-lever can be locked with a lock

**Drawing:**



G	DN	L	H	R	PN
G 1/4"	5,0	39	31	65	63 bar
G 3/8"	7,0	44	33	88	63 bar
G 1/2"	9,2	57	40	110	63 bar
G 3/4"	12,5	59	40	110	63 bar
G 1"	15,0	71	57	110	63 bar
G 1 1/4"	20,0	78	59	110	63 bar
G 1 1/2"	25,0	83	70	155	63 bar
G 2"	32,0	99	74	155	63 bar

Drawing: Pressure-temperature diagram

